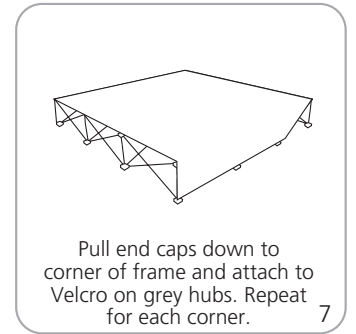
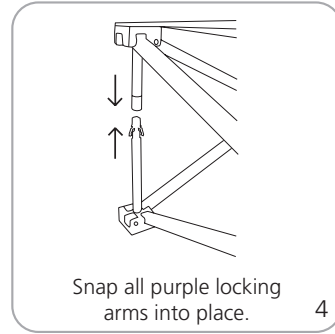
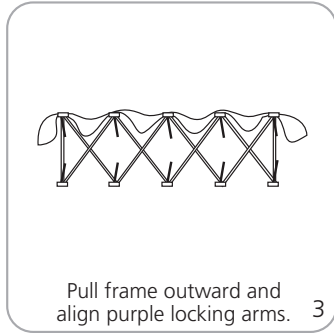
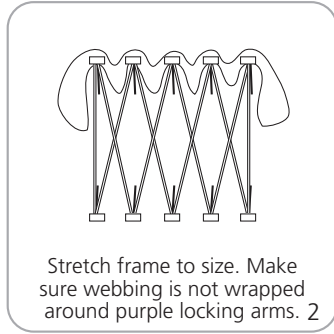
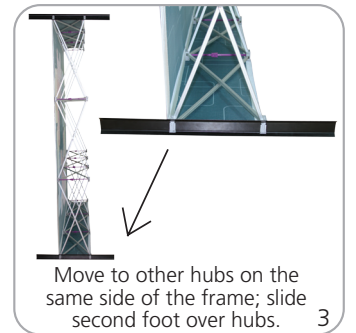
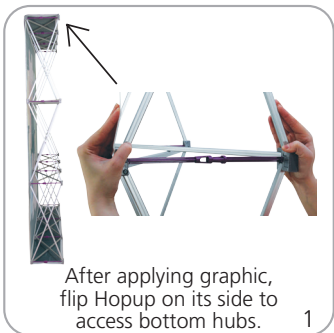
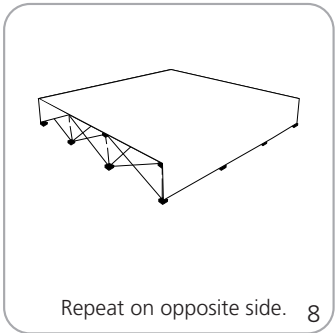


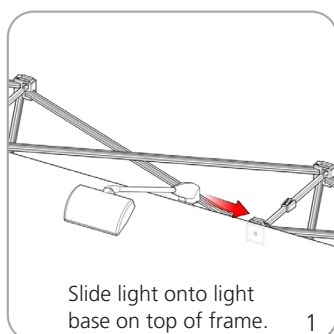
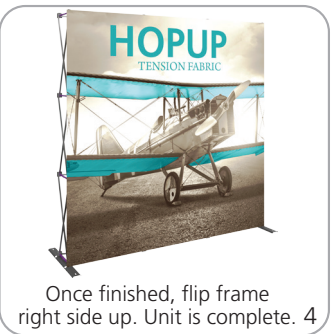
TENSION FABRIC POP UP DISPLAY SET UP



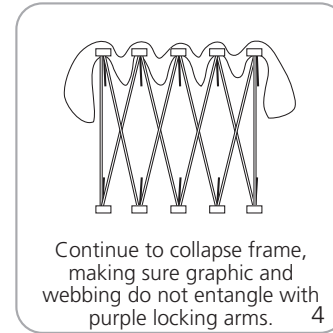
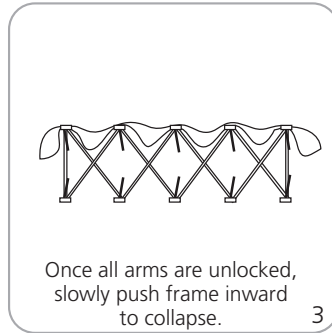
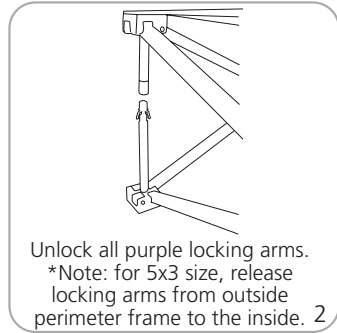
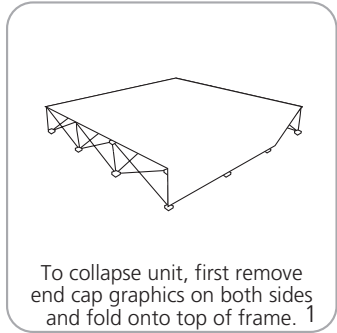
ATTACH STABILIZER FEET TO FRAMES 3 QUADS HIGH



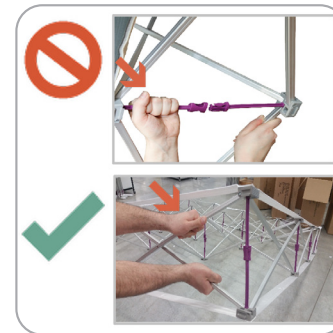
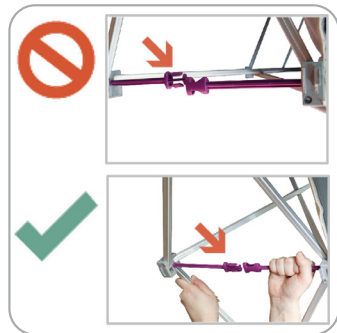
TO ATTACH LIGHTS



TO COLLAPSE FRAME



to ensure quality, please note:



DO NOT FORCE FRAME CLOSED.

